

Received June 18, 2021, accepted July 4, 2021, date of publication July 12, 2021, date of current version July 20, 2021.

Digital Object Identifier 10.1109/ACCESS.2021.3096715

# Cross-Polarization Control in FSSs by Means of an Equivalent Circuit Approach

CARLOS MOLERO<sup>1</sup>, (Member, IEEE), ANTONIO ALEX-AMOR<sup>1</sup>, FRANCISCO MESA<sup>2</sup>, (Fellow, IEEE), ÁNGEL PALOMARES-CABALLERO<sup>1</sup>, AND PABLO PADILLA<sup>1</sup>

<sup>1</sup>Departamento de Teoría de la Señal, Telemática y Comunicaciones, Universidad de Granada, 18071 Granada, Spain

<sup>2</sup>Department of Applied Physics 1, Escuela Técnica Superior de Ingeniería Informática, Universidad de Sevilla, 41012 Sevilla, Spain

Corresponding author: Antonio Alex-Amor (aalex@ugr.es)

This work was supported in part by Spanish Research and Development National Program under Project TIN2016-75097-P, Project RTI2018-102002-A-I00, Project TEC2017-84724-P, Project PID2020-112545RB-C54, and Project EQC2018-004988-P; in part by the Predoctoral under Grant FPU18/01965; and in part by Junta de Andalucía under Project P18-RT-4830 and Project B-TIC-402-UGR18.

**ABSTRACT** This paper presents an efficient equivalent circuit approach (ECA), based on a Floquet modal expansion, for the study of the co- and cross-polarization in frequency selective surfaces (FSS) formed by periodic arrays of patches/apertures in either single or stacked configurations. The ECA makes it possible the derivation of analytical expressions for the generalized scattering parameters associated with the proposed circuit networks. Furthermore, the proposed circuit approach is an efficient surrogate model that can be combined with optimization techniques and artificial intelligence algorithms for the efficient design of FSS structures, saving efforts in the computation compared to time-consuming full-wave simulators and tedious synthesis (simulation-assisted) techniques. Due to the simplicity of the topology of the involved networks, the ECA can also be advantageously used to gain physical insight. The proposed approach is applied and validated in different FSS configurations where the cross-pol component plays a fundamental role in the design, as in circular polarizers, polarization rotators, and reflectarray cells.

**INDEX TERMS** Frequency selective surface, equivalent circuit approach, co- and cross-polarization terms, metamaterials.

## I. INTRODUCTION

Controlling the behavior of the electromagnetic (EM) waves is a traditional challenge of the microwave and antenna engineering community [1], [2], which still raises a lot of attention [3], [4]. The modification of the transmission and reflection responses of an impinging EM wave on a periodic structure has been studied for different frequency ranges, with some examples from microwave to terahertz regimes found in [5]–[13]. In these works, the selected structure to provide the desired control of the incident EM is the so-called frequency selective surface (FSS) [14], [15]. The FSS can be classified into two categories depending of the implemented geometry of the unit cell; namely, FSS based on either apertures or patches [14].

One of the most appreciated functionalities in the design of FSS is the control of the cross-polarization. This capability

The associate editor coordinating the review of this manuscript and approving it for publication was Gerardo Di Martino<sup>1</sup>.

enables the design of polarization-converter devices [16], [17] because both the co-polarized and cross-polarized components of the EM wave have to be tuned in order to obtain the desired polarization (horizontal, vertical, circular or elliptical). Polarization converters based on apertures [18]–[22] and based on patches [23]–[25] are reported in the literature. In most of the previous works, the incident wave is transmitted along the FSS structure, although there are also FSSs where the incident wave is totally reflected. This fact is taken into advantage in radar cross section (RCS) applications in order to rotate the polarization of the incoming wave towards its orthogonal polarization and, thus, achieve a RCS reduction [26]–[29].

Given the importance of controlling the cross polarization in transmission and/or in reflection by means of FSS, an efficient design of these structures is imperative. The optimization of the FSS design can be carried out by using an EM simulator. However, its computational cost is very high because hundreds of full-wave simulations are generally

needed to reach the desired goals. An alternative strategy to substantially reduce the computational cost is replacing the full-wave simulations by equivalent circuit models that represent the performance of the FSS in a cost-effective way [30]–[35]. These circuit models can then be combined with optimization and artificial intelligence algorithms for an efficient design of the device, especially when a large number of iterations are required in the process. Among the different techniques to obtain a circuit model of periodic structures [25], [36]–[41], the equivalent circuit models based on Floquet analysis [42]–[45] have shown remarkable outcomes even for intricate structures [43], [46]–[50]. One of the most relevant characteristics of this method comes from its analytical (or quasi-analytical) nature. It means that no previous full-wave frequency-sweeping simulations are needed in order to accurately take into account the effects of higher order harmonics and couplings in single and stacked FSS structures in a very extended frequency band [42], [43], [49].

In this work, we present analytical expressions for both co-pol and cross-pol scattering parameters of single and stacked aperture- and patched-based FSSs. In order to have complete independence of full-wave simulators, the formulation is based on Floquet modes in contrast with other state-of-the-art synthesis techniques [25], [32], [37]. Furthermore, as discussed in our previous work [49], the analytical nature of the approach makes that linear transformations of the scatterers (such as displacement, rotation, and/or scaling) can easily be introduced to model in a simple and efficient manner complex FSS stacks. The present work goes one step further in that direction and includes the treatment of the cross-pol component in both aperture- and patch-based FSS structures. This provides a great advantage by allowing the aperture/patch scatterers can be different between layers. It represents an improvement with respect to [50], where only patch-based FSSs with the same base geometry are studied.

The paper is organized as follows. Section II presents the derivations and the analytical expressions for the co- and cross-polarization in aperture-based FSS. In Section III, the calculation of the generalized scattering parameters for patched FSS is given. Both sections discuss the application of the formulation for both single and stacked FSS. Section IV shows several examples of FSS based on either apertures or patches that are characterized using the developed analytical expressions. Finally, in Section V, the main conclusions of the work are drawn.

## II. CROSS-POLARIZATION IN APERTURE ARRAYS

### A. SINGLE APERTURE PROBLEM

The unit cell for the problem under consideration in the present section is depicted in Fig. 1, where the scattering of an impinging time-harmonic ( $e^{j\omega t}$ ) plane wave on an infinite 2-D periodic structure has been reduced to a classical discontinuity problem in waveguides. For simplicity, we will consider but suppress the  $e^{j\omega t}$  dependence in the following derivation.

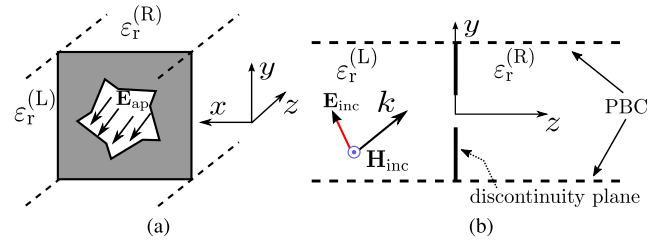


FIGURE 1. (a): Unit cell in perspective. (b): Unit cell in the yz-plane.

The planar discontinuity consists of a infinitesimally thin metallic sheet with an arbitrary-shaped aperture. This discontinuity is located at  $z = 0$  and embedded between two semi-infinite homogeneous and isotropic dielectric media with permittivity  $\epsilon_r^{(L/R)}$ , as shown in Fig. 1(b). The unit cell is bounded by periodic boundary conditions (PBC) and the incident plane wave is arbitrarily oriented. The electric field magnitude of the incident wave is assumed to be unity, thus letting its magnetic-field magnitude identical to the value of admittance associated with the wave.

Next we follow the general procedure reported in [42], [43] although here the necessary derivations to obtain closed-form expressions associated with the cross-pol components will be explicitly shown. Since the interaction of the incident wave with the discontinuity excites an infinite number of harmonics/modes in the unit cell, the *transverse* electric field at both sides of the discontinuity plane can be described in terms of the following Floquet expansion:

$$\begin{aligned} \mathbf{E}_r^{(L)}(x, y; \omega) &= (1 + R)\mathbf{e}_{00}^{cp}(x, y) + V_{00}^{xp,(L)}\mathbf{e}_{00}^{xp}(x, y) \\ &+ \sum'_{n,m} V_{nm}^{cp,(L)}\mathbf{e}_{nm}^{cp}(x, y) + \sum'_{n,m} V_{nm}^{xp,(L)}\mathbf{e}_{nm}^{xp}(x, y) \quad (1) \end{aligned}$$

$$\begin{aligned} \mathbf{E}_r^{(R)}(x, y; \omega) &= T\mathbf{e}_{00}^{cp}(x, y) + V_{00}^{xp,(R)}\mathbf{e}_{00}^{xp}(x, y) \\ &+ \sum'_{n,m} V_{nm}^{cp,(R)}\mathbf{e}_{nm}^{cp}(x, y) + \sum'_{n,m} V_{nm}^{xp,(R)}\mathbf{e}_{nm}^{xp}(x, y) \quad (2) \end{aligned}$$

where the superscripts ‘‘cp’’ and ‘‘xp’’ denotes co- and cross-polarization terms with respect to the polarization of the incident wave, respectively. For TE incidence, the cross-polarization superscript becomes TM and vice versa. The superscript ‘‘L/R’’ denotes the left/right-side dielectric medium. The factor 1 in (1) accounts for the unit-amplitude of the incident electric field, here characterized by the harmonic of order  $m, n = 0, 0$ . The coefficients  $R$  and  $T$  are the corresponding copolar reflection and transmission coefficients, respectively. The coefficient  $V_{00}^{xp,(L/R)}$  is the amplitude of the ‘cross-pol’ harmonic of order  $m, n = 0, 0$  at both sides of the discontinuity, excited thanks to the interaction between the incident harmonic and the discontinuity. The coefficients  $V_{nm}^{cp/xp,(L)/(R)}$  are the amplitudes associated with harmonics of order  $n, m$  at both sides of the discontinuity as well. All the above coefficients are function of the angular frequency ( $\omega$ ) of the impinging wave. The prime symbol in the series stands for summation  $\forall n, m$  except  $n, m = 0, 0$ .

The spatial profile of the transverse electric field associated with each harmonic is represented by  $\mathbf{e}_{nm}^{\text{cp/XP}}$  and defined in terms of TM/TE harmonics as

$$\mathbf{e}_{nm}^{\text{TM}}(x, y) = \frac{1}{\sqrt{p_x p_y}} \frac{\exp[-j(k_{xn}x + k_{ym}y)]}{\sqrt{p_x p_y}} \hat{\mathbf{e}}_{nm}^{\text{TM}} \quad (3)$$

$$\mathbf{e}_{nm}^{\text{TE}}(x, y) = \frac{1}{\sqrt{p_x p_y}} \frac{\exp[-j(k_{xn}x + k_{ym}y)]}{\sqrt{p_x p_y}} \hat{\mathbf{e}}_{nm}^{\text{TE}} \quad (4)$$

with

$$\hat{\mathbf{e}}_{nm}^{\text{TM}} = \frac{k_{xn}\hat{\mathbf{x}} + k_{ym}\hat{\mathbf{y}}}{\sqrt{k_{xn}^2 + k_{ym}^2}} \quad (5)$$

$$\hat{\mathbf{e}}_{nm}^{\text{TE}} = \frac{k_{ym}\hat{\mathbf{x}} - k_{xn}\hat{\mathbf{y}}}{\sqrt{k_{xn}^2 + k_{ym}^2}} \left[ = \hat{\mathbf{e}}_{nm}^{\text{TM}} \times \hat{\mathbf{z}} \right] \quad (6)$$

$$k_{xn} = \sqrt{\epsilon_r^{(L)}} k_0 \sin \theta \cos \phi + \frac{2n\pi}{p_x} \quad (7)$$

$$k_{ym} = \sqrt{\epsilon_r^{(L)}} k_0 \sin \theta \sin \phi + \frac{2m\pi}{p_y} \quad (8)$$

where  $p_x$  and  $p_y$  are the periodicity along  $x$  and  $y$  axis,  $k_0$  the free-space wavenumber, and  $\theta, \phi$  are the elevation and azimuth incident angles. At the discontinuity plane, the transverse electric field is different from zero only at the aperture region  $\Omega$ . A key assumption of the present approach is that the spatial profile,  $\mathcal{E}$ , of this transverse electric field at the aperture is considered to be frequency-independent; namely, the total transverse field,  $\mathbf{E}_{\text{ap}}$ , can be factorized in the following way

$$\mathbf{E}_{\text{ap}}(x, y; \omega) = A(\omega)\mathcal{E}(x, y) \quad \forall x, y \in \Omega \quad (9)$$

where  $A(\omega)$  can be regarded as the amplitude which does depend on frequency whereas  $\mathcal{E}(x, y)$  describes the spatial distribution which does not depend on frequency. This approximation has been found to be valid up to the second excitable resonance of the considered scatterer. Nonetheless, this usually leads to a large operation bandwidth for the ECA, even within the grating-lobe regime [34], [49]. In fact, the onset of the grating-lobe regime corresponds to the cutoff frequency of high-order propagating harmonics. In this sense, the ECA is capable of reproducing very exotic behaviors where several diffraction orders are present, regardless of the electrical size of the unit cell under the assumptions described above.

Since the electric field is continuous in the aperture region, we can write

$$\mathbf{E}_t^{(1)}(x, y; \omega) = \mathbf{E}_t^{(2)}(x, y; \omega) \equiv \mathbf{E}_{\text{ap}} \quad \forall x, y \in \Omega. \quad (10)$$

If this continuity of the electric field is forced for the projection of the fields onto the modal functions  $\mathbf{e}_{nm}^{\text{TM/TE}}$ , it allows us to calculate the amplitudes of the harmonics  $V_{nm}^{\text{cp/XP}, (L/R)}$  by means of the following expressions:

$$(1 + R) = A(\omega)\tilde{\mathcal{E}}(k_{x0}, k_{y0}) \cdot \hat{\mathbf{e}}_{00}^{\text{cp}} \quad (11)$$

$$V_{00}^{\text{xp}, (L/R)} = A(\omega)\tilde{\mathcal{E}}(k_{x0}, k_{y0}) \cdot \hat{\mathbf{e}}_{00}^{\text{xp}} \quad (12)$$

$$V_{nm}^{\text{cp/XP}, (L/R)} = A(\omega)\tilde{\mathcal{E}}(k_{xn}, k_{ym}) \cdot \hat{\mathbf{e}}_{nm}^{\text{cp/XP}}. \quad (13)$$

It should be noted that the expressions for  $V_{nm}^{\text{cp/XP}, (L/R)}$  at the left- and right-hand side coincide, which allows us to remove the superscript (L/R) in the following. In the above expressions we have made use of the fact that

$$\int_{\Omega} \mathcal{E}(x, y) \cdot [\mathbf{e}_{nm}^{\text{cp/XP}}(x, y)]^* d\Omega = \tilde{\mathcal{E}}(k_{xn}, k_{ym}) \cdot \hat{\mathbf{e}}_{nm}^{\text{cp/XP}} \quad (14)$$

where

$$\tilde{\mathcal{E}}(k_{xn}, k_{ym}) = \frac{1}{\sqrt{p_x p_y}} \int_{\Omega} \mathcal{E}(x, y) e^{j(k_{xn}x + k_{ym}y)} d\Omega \quad (15)$$

can be recognized as the 2-D Fourier transform of the spatial profile  $\mathcal{E}(x, y)$  at  $(k_{xn}, k_{ym})$ . Thus, if we now define a frequency-independent parameter  $N_{nm}^{\text{cp/XP}}$  given by

$$N_{nm}^{\text{cp/XP}} = \tilde{\mathcal{E}}(k_{xn}, k_{ym}) \cdot \hat{\mathbf{e}}_{nm}^{\text{cp/XP}} \quad (16)$$

the expressions (11)–(13) can be rewritten in general as

$$\frac{V_{nm}^{\text{cp/XP}}}{N_{nm}^{\text{cp/XP}}} = \frac{(1 + R)}{N_{00}^{\text{cp}}} \quad (17)$$

what indicates that each amplitude is actually proportional to the voltage factor  $(1 + R)$ . As already discussed in [43], the factors relating each amplitude and  $(1 + R)$  can be interpreted, from a circuit point of view, as the value of the turns ratio corresponding to transformers. It is worth noting here that these transformer ratios turn out to be frequency independent, which will be very relevant from an operational standpoint.

If we now force the continuity of the power through the aperture:

$$\int_{\Omega} \mathbf{E}_{\text{ap}} \times [\mathbf{H}_t^{(L)}]^* d\Omega = \int_{\Omega} \mathbf{E}_{\text{ap}} \times [\mathbf{H}_t^{(R)}]^* d\Omega \quad (18)$$

it is then possible to obtain the reflection coefficient  $R$  after considering that the transverse magnetic fields at both sides of the discontinuities are given by the following Floquet expansions:

$$\begin{aligned} \mathbf{H}_t^{(L)}(x, y; \omega) &= (1 - R)Y_{00}^{\text{cp}, (L)} \mathbf{h}_{00}^{\text{cp}}(x, y) - V_{00}^{\text{xp}} Y_{00}^{\text{xp}, (L)} \mathbf{h}_{00}^{\text{xp}}(x, y) \\ &\quad - \sum'_{n,m} V_{nm}^{\text{cp}} Y_{nm}^{\text{cp}, (L)} \mathbf{h}_{nm}^{\text{cp}}(x, y) - \sum'_{n,m} V_{nm}^{\text{xp}} Y_{nm}^{\text{xp}, (L)} \mathbf{h}_{nm}^{\text{xp}}(x, y) \end{aligned} \quad (19)$$

$$\begin{aligned} \mathbf{H}_t^{(R)}(x, y; \omega) &= TY_{00}^{\text{cp}, (R)} \mathbf{h}_{00}^{\text{cp}}(x, y) + V_{00}^{\text{xp}} Y_{00}^{\text{xp}, (R)} \mathbf{h}_{00}^{\text{xp}}(x, y) \\ &\quad + \sum'_{n,m} V_{nm}^{\text{cp}} Y_{nm}^{\text{cp}, (R)} \mathbf{h}_{nm}^{\text{cp}}(x, y) + \sum'_{n,m} V_{nm}^{\text{xp}} Y_{nm}^{\text{xp}, (R)} \mathbf{h}_{nm}^{\text{xp}}(x, y) \end{aligned} \quad (20)$$

where  $\mathbf{h}_{nm}^{\text{cp/XP}}(x, y) = \hat{\mathbf{z}} \times \mathbf{e}_{nm}^{\text{cp/XP}}(x, y)$  and  $Y_{nm}^{\text{cp/XP}, (L/R)}$  is the admittance associated with the harmonics of order  $(n, m)$ :

$$Y_{nm}^{\text{TE}, (L/R)} = \frac{\beta_{nm}^{(L/R)}}{\omega \mu_0} \quad (21)$$

$$Y_{nm}^{\text{TM}, (L/R)} = \frac{\omega \epsilon_0 \epsilon_r^{(L/R)}}{\beta_{nm}^{(L/R)}} \quad (22)$$

with the longitudinal wavenumber,  $\beta_{nm}^{(L/R)}$ , given by

$$\beta_{nm}^{(L/R)} = \sqrt{\epsilon_r^{(L/R)} k_0^2 - k_{xn}^2 - k_{ym}^2}. \quad (23)$$

Thus, introducing (19) and (20) into (18), the reflection coefficient is found to be

$$R = \frac{|N_{00}^{cp}|^2(Y_{00}^{cp,(L)} - Y_{00}^{cp,(R)}) - |N_{00}^{xp}|^2(Y_{00}^{xp,(L)} + Y_{00}^{xp,(R)}) - Y_{eq}}{|N_{00}^{cp}|^2(Y_{00}^{cp,(L)} + Y_{00}^{cp,(R)}) + |N_{00}^{xp}|^2(Y_{00}^{xp,(L)} + Y_{00}^{xp,(R)}) + Y_{eq}} \quad (24)$$

with

$$Y_{eq} = \sum_{nm}' |N_{nm}^{cp}|^2(Y_{nm}^{cp,(L)} + Y_{nm}^{cp,(R)}) + \sum_{n,m}' |N_{nm}^{xp}|^2(Y_{nm}^{xp,(L)} + Y_{nm}^{xp,(R)}). \quad (25)$$

Notice that  $Y_{eq}$  corresponds to an infinite summation of admittances connected in parallel. Each individual admittance,  $Y_{nm}^{cp/xp,(L/R)}$ , is associated with a semi-infinite transmission line section that is connected to the input line (corresponding to the incident harmonic) through a transformer of turns ratio  $N_{nm}^{cp/xp}$ . Electromagnetic coupling between adjacent cells is taken into consideration by the *multi-modal* nature of the present equivalent approach; namely, Floquet harmonics of lower and higher order are coupled together through the parallel connections appreciated in Fig. 2.

For the sake of simplicity,  $Y_{eq}$  will be considered as a single admittance (it includes the contribution of all the harmonics except the ones corresponding to  $m, n = 0, 0$ ). The corresponding 4-port equivalent circuit can therefore be schematically represented as the one in Fig. 2. Four transmission lines connected in parallel are distinguished: two lines in green that describe the propagation of the incident harmonic through the media (L/R) and two lines in pink that describe the propagation of the  $(0, 0)$  cross-polarized harmonic in both dielectric media. All these lines are connected to  $Y_{eq}$  via transformers with turns ratio  $N_{00}^{cp/xp}$ .

Standard circuit rules can now be employed to calculate the scattering parameters of the above network. As shown in Fig. 2, the nodes  $n_1$  and  $n_2$  share the same voltage, given by  $(1 + R) = T$  (coming from the superposition of the incident and reflected waves at the discontinuity plane). The voltages in the rest of the lines are then

$$V_{00}^{cp} = (1 + R) = T \quad (26)$$

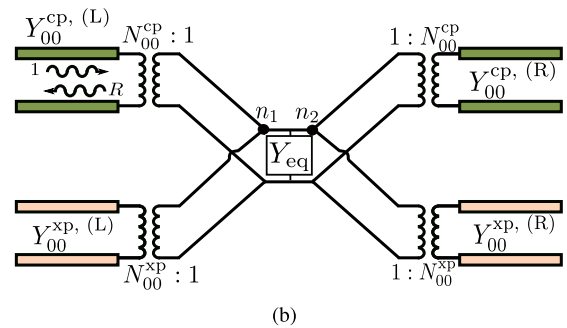
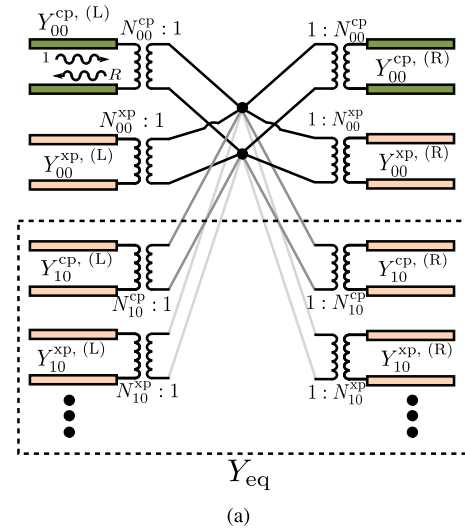
$$V_{00}^{xp} = (1 + R) \frac{N_{00}^{xp}}{N_{00}^{cp}} \quad (27)$$

with associated currents given by

$$I_{00}^{cp,(R)} = T Y_{00}^{cp,(R)} \quad (28)$$

$$I_{00}^{xp,(L)} = (1 + R) \frac{N_{00}^{xp}}{N_{00}^{cp}} Y_{00}^{xp,(L)} \quad (29)$$

$$I_{00}^{xp,(R)} = T \frac{N_{00}^{xp}}{N_{00}^{cp}} Y_{00}^{xp,(R)}. \quad (30)$$



**FIGURE 2.** (a): Multi-modal equivalent circuit for a single 2-D slot-like periodic array when assuming the incidence of the harmonic  $n, m = 0, 0$ . The interaction of the incident harmonic and the discontinuity excites all the higher-order harmonics, represented by their corresponding transmission lines. (b): Same equivalent circuit, with the higher-order harmonics grouped in the term  $Y_{eq}$ .

Defining now the corresponding arrays of power wave amplitudes [51], the following generalized scattering parameters are obtained:

$$S_{11}^{cp \rightarrow cp} = R \quad (31)$$

$$S_{21}^{cp \rightarrow cp} = T \sqrt{\frac{Y_{00}^{cp,(R)}}{Y_{00}^{cp,(L)}}} \quad (32)$$

$$S_{11}^{cp \rightarrow xp} = (1 + R) \frac{N_{00}^{xp}}{N_{00}^{cp}} \sqrt{\frac{Y_{00}^{xp,(L)}}{Y_{00}^{cp,(L)}}} \quad (33)$$

$$S_{21}^{cp \rightarrow xp} = T \frac{N_{00}^{xp}}{N_{00}^{cp}} \sqrt{\frac{Y_{00}^{xp,(R)}}{Y_{00}^{cp,(L)}}}. \quad (34)$$

### B. STACKS OF APERTURES

Stacks of two (or more) identical or nonidentical coupled apertures can also be analyzed via the equivalent circuit approach, provided that they have the same  $p_x \times p_y$  dimensions (namely, the size of the unit cell should be

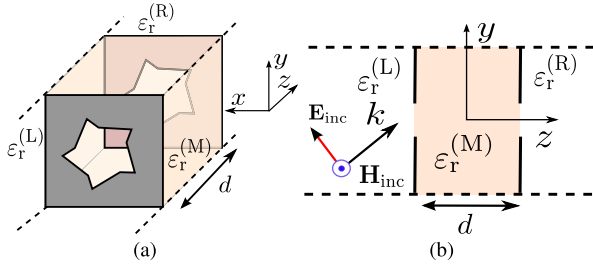


FIGURE 3. (a): Unit cell in perspective. (b): Unit cell in the YZ-plane.

the same). An example of this scenario is shown in Fig. 3(a). Two metallic perforated screens are separated by a dielectric material with relative permittivity  $\epsilon_r^{(M)}$  and thickness  $d$ . The unit cell now contains two semi-infinite dielectric slabs of relative permittivity  $\epsilon_r^{(L/R)}$  and the finite slab with  $\epsilon_r^{(M)}$ , as illustrated in Fig. 3(b).

Following a similar rationale as in [52], the obtaining of the circuit network for this structure is based on the single-array case. Each individual aperture taking part in the stack admits to be represented by the circuit in Fig. 2. Both individual circuits can be joined by connecting the transmission lines associated with each one of the harmonics inside the finite dielectric slab (namely, connecting *all* the lines associated with harmonics of the same order). By means of this operation and after several manipulations, the final equivalent circuit can be represented by the classical  $\pi$ -network shown in Fig. 4. Again, we have separated the co- and cross-polarized terms in the leftmost and rightmost dielectric media by its corresponding transmission lines. The admittances forming the  $\pi$ -block can be split into two contributions. On the one hand, the external contribution given by the harmonics  $n, m \neq 0, 0$  in the leftmost and rightmost dielectric media,

$$Y_{p,1}^{(L)} = \sum_{n,m}' |N_{nm}^{cp,(1)}|^2 Y_{nm}^{cp,(L)} + \sum_{n,m}' |N_{nm}^{xp,(1)}|^2 Y_{nm}^{xp,(L)} \quad (35)$$

$$Y_{p,2}^{(R)} = \sum_{n,m}' |N_{nm}^{cp,(2)}|^2 Y_{nm}^{cp,(R)} + \sum_{n,m}' |N_{nm}^{xp,(2)}|^2 Y_{nm}^{xp,(R)} \quad (36)$$

where the transformers now include the superscript (1/2), referring to the leftmost or rightmost aperture, respectively. On the other hand, the internal block includes the information about all the possible electromagnetic couplings between the two aperture arrays. This is due to the multi-modal nature of the elements that form both the internal and external blocks. In this case, the internal block can be expressed as a  $\pi$ -network topology whose elements are given by

$$Y_{p,1}^{(M)} = j \left[ \sum_{\forall n,m} |N_{nm}^{cp,(1)}|^2 Y_{nm}^{cp,(M)} + \sum_{\forall n,m} |N_{nm}^{xp,(1)}|^2 Y_{nm}^{xp,(M)} \right] \times \tan(\beta_{nm}^{(M)} d/2) \quad (37)$$

$$Y_{p,2}^{(M)} = j \left[ \sum_{\forall n,m} |N_{nm}^{cp,(2)}|^2 Y_{nm}^{cp,(M)} + \sum_{\forall n,m} |N_{nm}^{xp,(2)}|^2 Y_{nm}^{xp,(M)} \right] \times \tan(\beta_{nm}^{(M)} d/2) \quad (38)$$

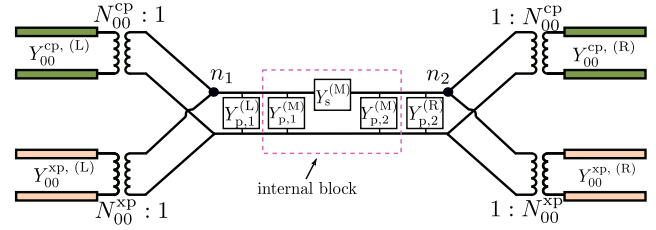


FIGURE 4. Equivalent circuit for stacked aperture arrays.

$$Y_s^{(M)} = -j \left[ \sum_{\forall n,m} N_{nm}^{cp,(1)} [N_{nm}^{cp,(2)}]^* Y_{nm}^{cp,(M)} + \sum_{\forall n,m} N_{nm}^{xp,(1)} [N_{nm}^{xp,(2)}]^* Y_{nm}^{xp,(M)} \right] \csc(\beta_{nm}^{(M)} d). \quad (39)$$

The topology of the circuit for the stack is slightly more complex than the circuit for the single case. The expressions for the scattering parameters are those in (32), (33) and (34). However, it can be inferred from Fig. 4 that the nodes  $n_1$  and  $n_2$  do not share now the same voltage, that is,  $(1 + R) \neq T$ . A simple circuit analysis reveals that the voltages  $(1 + R)$  and  $T$  are related by the following expression:

$$T = (1 + R) \frac{Y_s^{(M)}}{Y_s^{(M)} + Y_{in}^{(R)}} \quad (40)$$

with

$$Y_{in}^{(R)} = Y_{p,2}^{(M)} + Y_{p,2}^{(R)} + |N_{00}^{cp,(2)}|^2 Y_{00}^{cp,(R)} + |N_{00}^{xp,(2)}|^2 Y_{00}^{xp,(R)}. \quad (41)$$

This new value of  $T$  can be introduced in (32) and (34) in order to achieve the final expressions for the generalized scattering parameters.

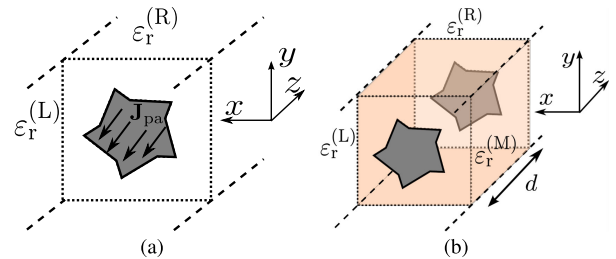


FIGURE 5. Unit cell for (a): a single-patch array, (b): a pair of coupled arrays of patches.

### III. PERIODIC PATCH ARRAYS SINGLE AND STACK

Problems involving patches arrays can be conceived as complementary to the aperture case and, thus, its treatment can follow the general guidelines given above. Figs. 5(a) and (b) illustrate the unit-cell problem for single and coupled patch arrays, respectively. Focusing on the single-array case, the derivation of the reflection coefficient is achieved after imposing the following two conditions

at the discontinuity plane, specifically in the area of the metallic patch  $\Omega$ :

$$\hat{\mathbf{z}} \times [\mathbf{H}_t^{(R)}(x, y; \omega) - \mathbf{H}_t^{(L)}(x, y; \omega)] = \mathbf{J}_{pa}(x, y; \omega) \quad (42)$$

$$\mathbf{E}_t^{(L)}(x, y; \omega) = 0 = \mathbf{E}_t^{(R)}(x, y; \omega) \quad (43)$$

where  $\mathbf{J}_{pa}$  is the surface current density on the patch.

The transverse magnetic and electric fields are described in terms of Floquet harmonics as in (1), (2), (19) and (20). The surface current is assumed to be given by a spatial distribution independent from frequency, namely,

$$\mathbf{J}_{pa}(x, y; \omega) = B(\omega)\mathcal{J}(x, y). \quad (44)$$

After manipulating (42) and (43), taking into account (44), the following expression relating the amplitudes of the harmonics and the reflection and transmission coefficients of the incident one is found:

$$V_{nm}^{cp/xp} \frac{Y_{nm}^{cp/xp, (L)} + Y_{nm}^{cp/xp, (R)}}{N_{nm}^{cp/xp}} = \frac{-(1-R)Y_{00}^{cp, (L)} + TY_{00}^{cp, (R)}}{N_{00}^{cp}} \quad (45)$$

where  $T = (1 + R)$ , and

$$N_{nm}^{cp/xp} = \tilde{\mathcal{J}}(k_{xn}, k_{ym}) \cdot \hat{\mathbf{e}}_{nm}^{cp/xp} \quad (46)$$

with  $\tilde{\mathcal{J}}(k_{xn}, k_{ym})$  being the 2-D Fourier transform of  $\mathcal{J}(x, y)$  at  $(k_{xn}, k_{ym})$ . The reflection coefficient  $R$  can be written as

$$R = \frac{\frac{Y_{00}^{cp, (L)} - Y_{00}^{cp, (R)}}{|N_{00}^{cp}|^2} - \left[ \frac{|N_{00}^{xp}|^2}{Y_{00}^{xp, (L)} + Y_{00}^{xp, (R)}} + Z_{eq} \right]^{-1}}{\frac{Y_{00}^{cp, (L)} + Y_{00}^{cp, (R)}}{|N_{00}^{cp}|^2} + \left[ \frac{|N_{00}^{xp}|^2}{Y_{00}^{xp, (L)} + Y_{00}^{xp, (R)}} + Z_{eq} \right]^{-1}} \quad (47)$$

with

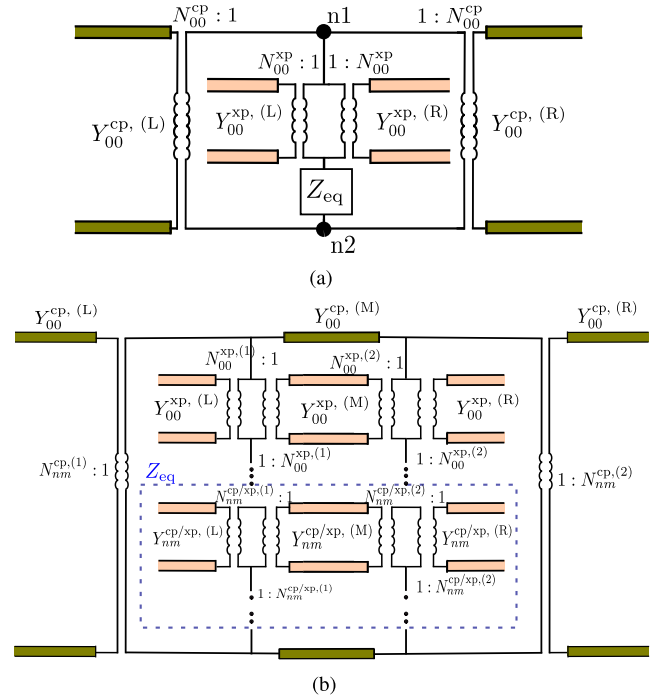
$$Z_{eq} = \sum'_{n,m} \frac{|N_{nm}^{cp}|^2}{Y_{nm}^{cp, (L)} + Y_{nm}^{cp, (R)}} + \sum'_{n,m} \frac{|N_{nm}^{xp}|^2}{Y_{nm}^{xp, (L)} + Y_{nm}^{xp, (R)}}. \quad (48)$$

As in the aperture-array case,  $Z_{eq}$  includes all the harmonics of orders  $n, m$  except those with  $n, m = 0, 0$ . Similarly, electromagnetic coupling between adjacent cells is taken into consideration by the multi-modal nature of the circuit in Fig. 6(a). However, at the light of (48), the connection among all these elements is now in *series* in contrast to the parallel connections observed in the aperture case. The cross-polarization elements of order  $n, m = 0, 0$  also take part in the group of elements connected in series.

Following the theory in [51] and using the expression for  $V_{nm}^{cp/xp}$  obtained after manipulating (45), the generalized scattering parameters for the case of a single patch-based FSS are found to be

$$S_{11}^{cp \rightarrow cp} = R \quad (49)$$

$$S_{21}^{cp \rightarrow cp} = (1 + R) \sqrt{\frac{Y_{00}^{cp, (R)}}{Y_{00}^{cp, (L)}}} \quad (50)$$



**FIGURE 6. (a): Equivalent circuit for the single array. (b): Equivalent circuit including voltages when assuming the incidence of an harmonic (labelled as the co-polarized one).**

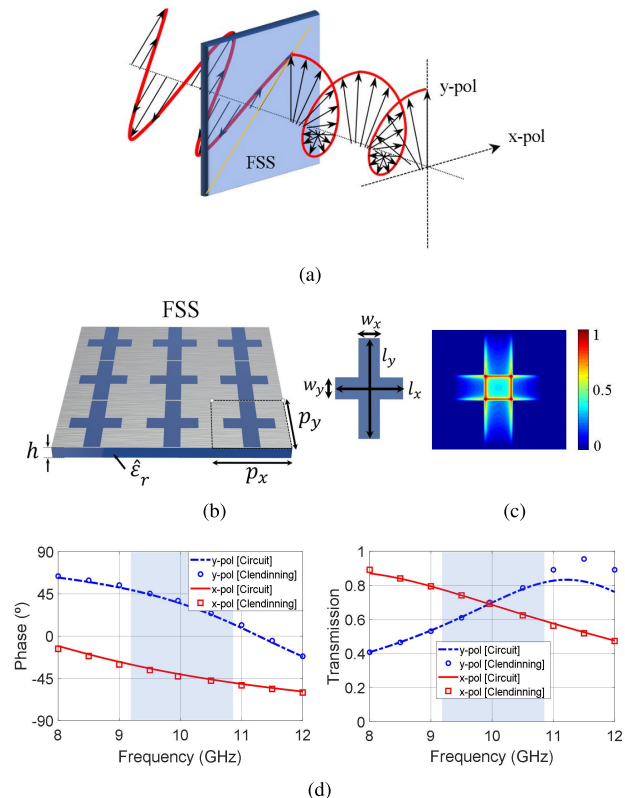
$$S_{11}^{cp \rightarrow xp} = \frac{N_{00}^{xp}}{N_{00}^{cp}} \frac{(R-1)Y_{00}^{cp, (L)} + TY_{00}^{cp, (R)}}{Y_{00}^{xp, (L)} + Y_{00}^{xp, (R)}} \sqrt{\frac{Y_{00}^{xp, (L)}}{Y_{00}^{cp, (L)}}} \quad (51)$$

$$S_{21}^{cp \rightarrow xp} = \frac{N_{00}^{xp}}{N_{00}^{cp}} \frac{(R-1)Y_{00}^{cp, (L)} + TY_{00}^{cp, (R)}}{Y_{00}^{xp, (L)} + Y_{00}^{xp, (R)}} \sqrt{\frac{Y_{00}^{xp, (R)}}{Y_{00}^{cp, (L)}}} \quad (52)$$

The couple of patch-arrays separated by a distance  $d$  depicted in Fig. 5(b) also admits to be represented by an equivalent circuit. Similarly as in the aperture-case, we proceed by connecting transmission lines associated with individual harmonics. Fig. 6(b) shows the final topology. The transmission lines related to the cross-pol term of order  $n = m = 0$  in inner medium (M) are connected. This procedure is also realized by the rest of higher order harmonics (all of them included in  $Z_{eq}$  in Fig. 6(a)). The resulting topology is not appropriate to construct individual blocks and derive a final  $\pi$ -network. Furthermore, the complexity of calculating the scattering parameters for the cross-pol term increases considerably. A possible way to address this calculation appeals to transfer-matrix notation. In particular, the composition of scattering (S) matrices has been the method employed. Each S-matrix describes and represents the coupling between all the harmonics excited in an individual patch array. The final S-matrix of the system is the result of the composition of all the individual matrices. The transmission/reflection coefficients of the cp- and xp-components are directly extracted from this final scattering matrix. It is worth remarking that the calculation is still cumbersome and no physical insight is inferred from the process.

#### IV. NUMERICAL EXAMPLES

In this section, some numerical examples of FSS structures are given in order to validate the analytical circuit approach and show its accuracy and computational efficiency. We compare the results with commercial full-wave simulators as well as with previously published works in the literature. Examples of aperture and patch arrays (single and stacked layers) are reported.



**FIGURE 7.** (a) Linear-to-circular polarization converter. (b) Single-layer aperture-based FSS presented in [22] acting as a circular polarizer. (c) Spatial profile considered at the aperture, computed with (53). (d) Phase and amplitude of the transmission parameters (x-pol and y-pol waves). The shadowed area indicates the frequency range where the transmitted wave is circularly polarized ( $AR \leq 3$  dB). Losses are considered in the dielectric,  $\hat{\epsilon}_r = \epsilon_r(1 - j \tan \delta)$ ,  $\epsilon_r = 2.95$ ,  $\tan \delta = 0.025$ .

#### A. APERTURE-BASED CIRCULAR POLARIZER

The first structure under analysis is the aperture-based linear-to-circular polarizer presented in [22]. The operation of the structure as well as its forming layers can be visualized in Figs. 7(a) and (b), respectively. The FSS is formed by a periodic array of cross-shaped apertures lying on a lossy dielectric substrate. When a  $45^\circ$  linearly-polarized plane wave impinges the structure, the transmitted x-pol and y-pol components are delayed by  $\pi/2$  radians while maintaining the same level of amplitude. This is due to the different lengths that the two magnetic dipoles forming the cross have, which leads to a circularly-polarized wave at the output.

The analytical spatial profile of the electric field assumed in the cross-shaped aperture, displayed in Fig. 7(c), is mathematically modeled as [53]

$$\mathcal{E}(x, y) = \frac{\cos(\pi y/l_y)}{\sqrt{1 - (2x/w_x)^2}} \hat{x} + \frac{\cos(\pi x/l_x)}{\sqrt{1 - (2y/w_y)^2}} \hat{y}. \quad (53)$$

In the above expression, the horizontal (y-oriented  $E$ -field) and vertical (x-oriented  $E$ -field) magnetic dipoles are independently modeled.

The phase and amplitude coefficients of the transmitted x-pol and y-pol waves are plotted in Fig. 7(d) and compared with the measurements shown in [22]. As observed, there is a good agreement between the ECA results and the experimental data. For the computation of 501 frequency points, the circuit approach took only 2.28 seconds. This demonstrates the efficiency of the present model. Furthermore, it should be remarked the ability of the equivalent circuit to easily account for dielectric losses in the substrate. Slight differences are seen in the amplitude coefficient at the end of the displayed frequency range. This is attributed to the large size of the cross-shaped apertures as well as the field coupling between horizontal and vertical dipoles, not considered in expression (53). The shadowed area in Fig. 7(d) highlights the frequency range where the axial ratio is below 3 dB; namely, where the transmitted wave is circularly polarized from a practical point of view.

#### B. ASYMMETRIC LOADED MAGNETIC DIPOLES

The second example is inspired by the synthesis method of anisotropic FSS reported in [37], based on the use of equivalent circuits. The FSS structure is formed by asymmetric loaded magnetic dipoles, as can be seen in Fig. 8(a). As discussed in [54] for meander-line gratings, a frequency-independent sine-shaped (half sine) spatial profile can be assumed to be excited at the aperture. The considered profile is constant along the slot width  $w$  and is mathematically modeled as

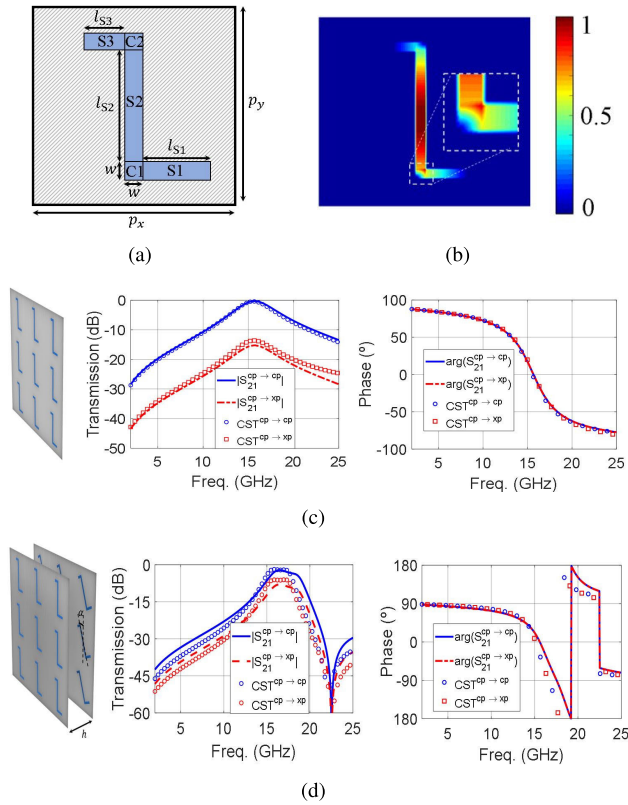
$$\mathcal{E}(x, y) = \mathcal{E}_{\text{sec}}(x, y) + \mathcal{E}_{\text{cor}}(x, y) \quad (54)$$

where

$$\mathcal{E}_{\text{sec}}(x, y) = \begin{cases} \sin\left(\frac{\pi x}{L}\right) \hat{y}, & \text{in region S1} \\ \sin\left(\frac{\pi[y + L_1]}{L}\right) \hat{x}, & \text{in region S2} \\ \sin\left(\frac{\pi[x + L_2]}{L}\right) \hat{y}, & \text{in region S3} \end{cases} \quad (55)$$

takes into account the sinusoidal variation along the different longitudinal sections [see Fig. 8(a)] of the loaded dipole ( $L_1 = l_{S1} + w$ ,  $L_2 = l_{S1} + 2w + l_{S2}$ ), and

$$\mathcal{E}_{\text{cor}}(x, y) = \begin{cases} \mathcal{E}_{\text{cor}}^{(C1)}(x, y), & \text{in corner C1} \\ \mathcal{E}_{\text{cor}}^{(C2)}(x, y), & \text{in corner C2} \end{cases} \quad (56)$$



**FIGURE 8.** (a) Front view of the unit cell containing the asymmetrical loaded magnetic dipoles. (b) Spatial profile considered at the aperture, computed with (54), and a detail of a corner section. (c) Single array. (d) Two-layer stack whose plates are rotated 20 degree. TE normal incidence is assumed. Geometrical parameters:  $p_x = p_y = 10$  mm,  $l_{S1} = 2$  mm,  $l_{S2} = 6$  mm,  $l_{S3} = 1$  mm,  $w = 0.5$  mm,  $\alpha = 20^\circ$ , and  $h = 2.5$  mm.

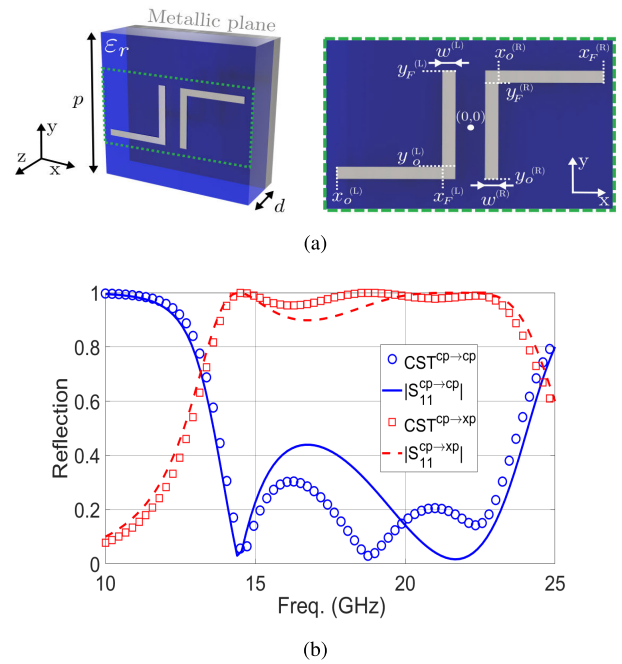
includes the boundary conditions at the corner sections, with

$$\mathcal{E}_{\text{cor}}^{(C1)}(x, y) = \left(1 - \frac{y}{w}\right) \sin\left(\frac{\pi L_1}{L}\right) \hat{x} + \left(1 - \frac{x}{w}\right) \sin\left(\frac{\pi l_{S1}}{L}\right) \hat{y} \quad (57)$$

$$\mathcal{E}_{\text{cor}}^{(C2)}(x, y) = \left(1 - \frac{y}{w}\right) \sin\left(\frac{\pi L'_2}{L}\right) \hat{x} + \left(1 - \frac{x}{w}\right) \sin\left(\frac{\pi L_2}{L}\right) \hat{y} \quad (58)$$

and  $L'_2 = l_{S1} + w + l_{S2}$ . Note that the total length of the loaded dipole is  $L = l_{S1} + l_{S2} + l_{S3} + 2w$ . The magnitude of the spatial profile can be observed in Fig. 8(b). As appreciated in (57),(58), a linear decay that maintains the continuity of the fields has been assumed at the corner sections. The same consideration is valid when dealing with currents in patch structures, as in Fig. 9. Although this approach may seem simple, it has proven to give accurate results [54].

Fig. 8(c) illustrates the transmission parameters (amplitude and phase) of the co-pol (cp→cp) and cross-pol (cp→xp) terms for a single, free-standing layer when a TE-polarized plane wave illuminates the FSS. An excellent agreement



**FIGURE 9.** (a): Unit cell in perspective and under front view. (b):  $|S_{11}|$  data obtained by the ECA and CST for TE normal incidence. Structure parameters (lengths in mm):  $p = 4.5$ ,  $d = 1.2$ ,  $w^{(L)} = w^{(R)} = 0.2$ ,  $x_0^{(L)} = -2.225$ ,  $x_F^{(L)} = -0.625$ ,  $y_0^{(L)} = -0.7$ ,  $y_F^{(L)} = 0.9$ ,  $x_0^{(R)} = 0.625$ ,  $x_F^{(R)} = 2.225$ ,  $y_0^{(R)} = -0.9$ ,  $y_F^{(R)} = 0.7$ ,  $\epsilon_r = 10$ .

is observed between our ECA results and the commercial software CST. It should be noted that the length of the horizontal arms of the dipoles control the cross-pol level; namely, the larger the horizontal arms are, the higher the cross-pol term is.

A variant of the above structure is formed when the previous layer is stacked together with a second rotated layer of equal dimensions (angle of rotation  $\alpha = 20^\circ$ ). In our equivalent circuit approach, the incorporation of this second layer to account for the spatial profile of the rotated aperture simply demands a linear transformation of the original spatial profile (54), as pointed out in [49]. The transmission parameters (amplitude and phase) of the stack are plotted in Fig. 8(d), where a good agreement of our ECA results is observed with CST data, despite the complexity of the FSS under analysis. Using the same computer, the circuit model took 2.02 and 3.18 seconds to compute the scattering parameters at 501 frequency points of the single array and the two-layer stack, respectively, while CST (default mesh size, 60 Floquet harmonics) took 6 and 8 minutes in these calculations. It is then apparent that, within its validity range, the ECA is a very efficient procedure to study the scattering properties of FSSs as well as an excellent tool for optimization tasks where many computations are required.

### C. DOUBLE L-SHAPED DIPOLE

A first example of a patch-array periodic structure to be analyzed with the circuit model is inspired in the structure



reported in [55]. The unit cell, shown in Fig. 9(a), comprises two identical L-shaped metallic dipoles printed on a grounded dielectric slab. Each individual dipole will be labelled as (L) or (R), referring to the *left-* or *right-*side position in the cell. The (L)-dipole is rotated 180° with respect to the (R)-dipole, thus creating an asymmetric unit-cell pattern. The presence of the ground plane ensures full-reflection operation.

In the frame of the circuit model approach described in Sec. III, the ground plane is included in the circuit in Fig. 6 just by short-circuiting the lines associated with the rightmost medium with permittivity  $\epsilon_r^{(R)}$ . The length of all these short-circuited transmission lines coincides with the dielectric-slab thickness. As required by the ECA, the spatial profile of the surface current distribution,  $\mathcal{J}(x, y)$ , in each of the L-shaped dipoles is assumed to be frequency independent. The longitudinal component of the current is taken to have the form of a half-sine function, distributed along the corresponding strip, and constant along the strip width. Likewise the example in the previous section, the surface-current function is mathematically expressed in two parts:

$$\mathcal{J}^{(L/R)}(x, y) = \mathcal{J}_{\text{sec}}^{(L/R)}(x, y) + \mathcal{J}_{\text{cor}}^{(L/R)}(x, y) \quad (59)$$

where

$$\mathcal{J}_{\text{sec}}^{(L)}(x, y) = \begin{cases} \sin\left(\frac{\pi x}{L^{(L)}}\right) \hat{\mathbf{x}}, & \text{in S1} \\ \sin\left(\frac{\pi(d_x^{(L)} + w^{(L)} + y - y_0^{(L)})}{L^{(L)}}\right) \hat{\mathbf{y}}, & \text{in S2} \end{cases} \quad (60)$$

$$\mathcal{J}_{\text{sec}}^{(R)}(x, y) = \begin{cases} \sin\left(\frac{\pi y}{L^{(R)}}\right) \hat{\mathbf{y}}, & \text{in S1} \\ \sin\left(\frac{\pi(d_y^{(R)} + w^{(R)} + x - x_0^{(R)})}{L^{(R)}}\right) \hat{\mathbf{x}}, & \text{in S2} \end{cases} \quad (61)$$

and

$$\begin{aligned} \mathcal{J}_{\text{cor}}^{(L)}(x, y) &= \sin\left(\frac{\pi d_x^{(L)}}{L^{(L)}}\right) \frac{x - x_F^{(L)}}{w^{(L)}} \hat{\mathbf{x}} \\ &+ \sin\left(\frac{\pi(d_x^{(L)} + w^{(L)})}{L^{(L)}}\right) \frac{y - (y_F^{(L)} - w^{(L)})}{w^{(L)}} \hat{\mathbf{y}} \end{aligned} \quad (62)$$

$$\begin{aligned} \mathcal{J}_{\text{cor}}^{(R)}(x, y) &= \sin\left(\frac{\pi d_y^{(R)}}{L^{(R)}}\right) \frac{y - y_F^{(R)}}{w^{(R)}} \hat{\mathbf{y}} \\ &+ \sin\left(\frac{\pi(d_y^{(R)} + w^{(R)})}{L^{(R)}}\right) \frac{x - (x_F^{(R)} - w^{(R)})}{w^{(R)}} \hat{\mathbf{x}} \end{aligned} \quad (63)$$

with

$$\begin{aligned} d_x^{(L/R)} &= x_F^{(L/R)} - x_0^{(L/R)} \\ d_y^{(L/R)} &= y_F^{(L/R)} - y_0^{(L/R)} \\ L^{(L/R)} &= d_x^{(L/R)} + d_y^{(L/R)} + w^{(L/R)}. \end{aligned}$$

The corresponding transformer ratios  $N_{nm}^{\text{cp/xp}}$  are given in terms of the 2-D Fourier Transform of  $\mathcal{J}^{(L/R)}$ ; namely, according to (46)

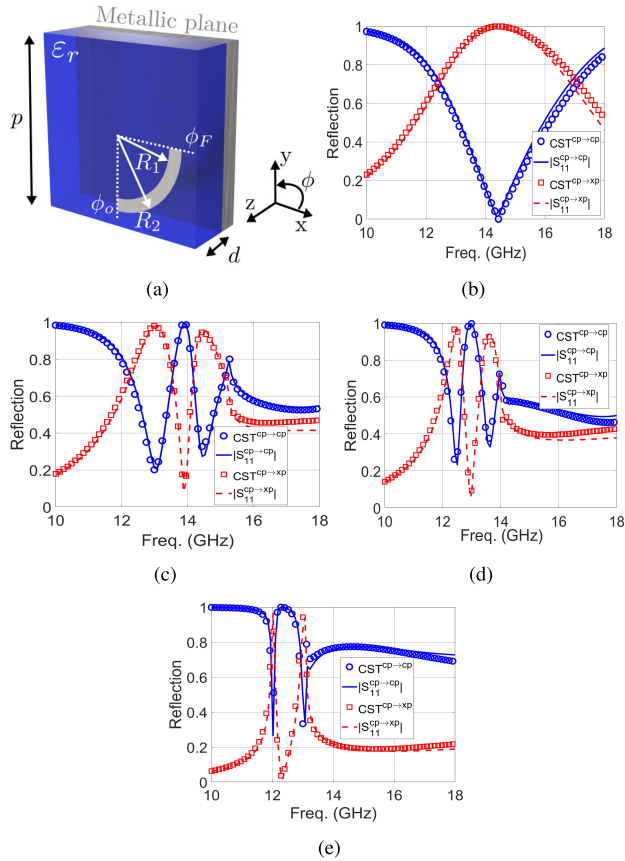
$$N_{nm}^{\text{cp/xp}} = \left[ \tilde{\mathcal{J}}^{(L)}(k_{xn}, k_{ym}) + \tilde{\mathcal{J}}^{(R)}(k_{xn}, k_{ym}) \right] \cdot \hat{\mathbf{e}}_{nm}^{\text{cp/xp}}. \quad (64)$$

It is worth remarking that if the dipoles are very close each other, some degree of mutual coupling is expected, affecting the excitation of *individual* surface-current distribution in each dipole. Therefore, the individual currents in the left-and right patches are not expected to be identical to the ones of each patch acting separately. Since the proposed current profiles assume no mutual coupling, the accuracy of the surface-current profiles deteriorates as both dipoles get closer.

In order to validate the circuit-model approach as well as the surface-current functions, Fig. 9 reproduces one of the results reported in [55, Fig. 7] where a wideband polarizer is presented. Both the left and right dipoles are identical (dimension in the caption of Fig. 9). The dielectric substrate is 1.2 mm thick with relative permittivity  $\epsilon_r^{(R)} = 10$ . The structure is excited by TE normal incidence (electric field directed along the y-axis). The reflection of this field component (cp) and the orthogonal field component (xp) are both plotted in Fig. 9(c). The cell configuration is such that wideband *field rotation* is achieved, as shown by the high reflection magnitude of the xp-component from 14.5 GHz to 23 GHz in contrast with the small reflection magnitude of the cp-component. The agreement between results provided by CST and those given by the circuit model is quite acceptable, with some slight differences caused by the approximated nature of the surface-current functions employed for this example. Possible sources of inaccuracies can be associated with the modelling of the current in corners, realized by including a simple linear decay in the sine function. The neglecting of mutual-coupling effects in the surface current functions is also expected to yield some inaccuracies. In turn, the computation time required by the ECA is very short in comparison to the CPU time of CST. The ECA employed 1.13 seconds to reproduce the solution, whereas CST needed 5 minutes approximately. Hence, ECA stands out as a very quick and efficient analysis tool if a small degree of inaccuracy is acceptable.

#### D. SPLIT-RING DIPOLE

A second case study of the circuit model for patch arrays is the structure whose unit cell is shown in Fig. 10(a)-(b). The patch is a circular ring section, defined by the arc comprised between the angles  $\phi_0$  and  $\phi_F$ . The width of the patch is defined between the inner and outer radii  $R_1$  and  $R_2$ . As the ring section is printed on a grounded dielectric slab, the corresponding equivalent circuit is topologically identical to the one employed in the previous example. The surface current is now assumed to be directed along the ring section; namely, the longitudinal component of the current takes the direction of the polar unit vector  $\hat{\phi}$  (the current is null at the ends of the patch). A half-since function, adapted to the geometry of



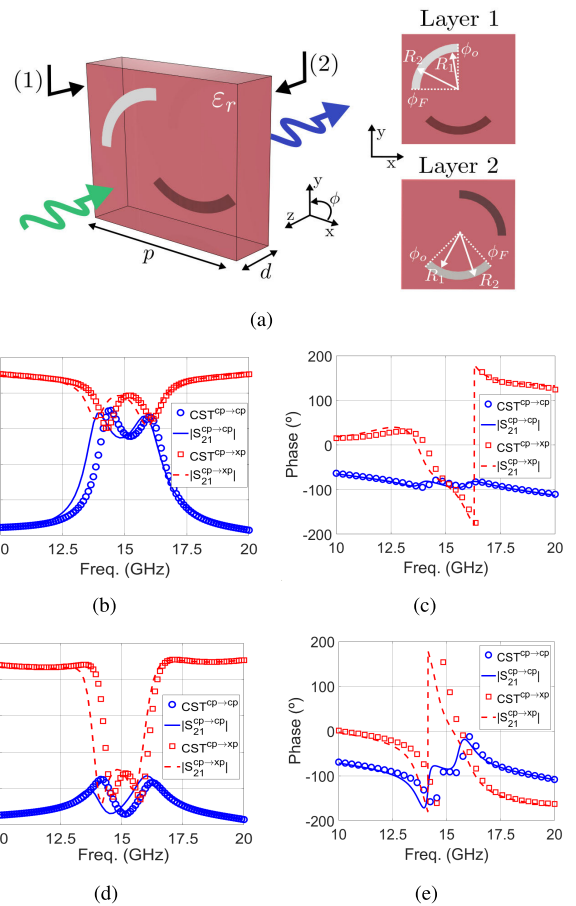
**FIGURE 10.** TM normal and oblique incidence. (a) Unit cell. (b): Scattering parameters obtained for  $\theta = 0^\circ$ . (c):  $\theta = 45^\circ$ . (d):  $\theta = 60^\circ$ . (e):  $\theta = 80^\circ$ . Structure parameters:  $p = 11.5$  mm,  $d = 3$  mm,  $R_1 = 3.9$  mm,  $R_2 = 4.75$  mm,  $\phi_0 = 270^\circ$ ,  $\phi_F = 360^\circ$ ,  $\epsilon_r = 2.55$ .

the patch, is again a very good option to describe the current behaviour:

$$\mathcal{J}(R, \phi) = \sin\left(\pi \frac{\phi - \phi_0}{\phi_F - \phi_0}\right) \hat{\phi} \quad (65)$$

with  $\hat{\phi} = -\sin \phi \hat{x} + \cos \phi \hat{y}$ . For simplicity, the current is taken as constant in the transverse section comprised between  $R_1$  and  $R_2$ .

Analytical results obtained by the ECA and the software CST are plotted in Fig. 10(c)-(f). The magnitude of the co- and xp-component is plotted versus frequency for different incident angles  $\theta$ . TM incidence is here considered, that is, the electric-field vector lies on the  $(x, z)$ -plane (along the  $x$ -direction for  $\theta = 0$ ). The behavior of the xp-component varies with frequency and angle. Full power transfer from the incident to the xp-component is achieved at frequencies around 14 GHz for normal incidence. By increasing the incident angle, the spectrum begins to interchange full-reflection peaks related to the co- and xp-components. This is clearly manifested for  $45^\circ$ ,  $60^\circ$ ,  $80^\circ$ . Since the periodicity of the cell is  $p = 11.5$  mm, the onset frequency of grating lobes of first-orders ( $n, m = 1, 0, nm = 0, 1$ ) is  $f = 26.08$  GHz. This onset frequency goes down to 15.27 GHz, 13.98 GHz



**FIGURE 11.** (a) Unit cell of the stack. The position of the ring sections in the front and back layers is fixed according to the structure parameters defined in Fig. 10(a). (b)-(c) TE and (d)-(e) TM incidence. Common structure parameters:  $p = 11.5$  mm,  $d = 3$  mm,  $\epsilon_r = 2.55$ ,  $R_1 = 3.9$  mm,  $R_2 = 4.75$  mm. Patch on layer (1):  $\phi_0 = 90^\circ$ ,  $\phi_F = 180^\circ$ . Patch on layer (2):  $\phi_0 = 225^\circ$ ,  $\phi_F = 315^\circ$ .

and 13.14 GHz for  $\theta = 45^\circ$ ,  $60^\circ$  and  $80^\circ$ , respectively. The agreement between CST and the ECA is quite good up to 18 GHz, which is beyond the onset frequencies for the largest angles. This validates the ECA as a suitable tool to work in complex scenarios, such as oblique-incidence in the diffraction zone.

### E. STACK OF SPLIT RING DIPOLES

A last example of a stack of a couple of patch-based arrays is considered in Fig. 11. This example is based on the ring-section geometry used in the previous section, but replacing the ground plane by a second array. Figs. 11(a) shows the complete unit cell, which consists of a stack of two metallic ring sections printed on opposite faces of a dielectric slab with permittivity  $\epsilon_r$  and thickness  $d$ . The position and length of each ring section is fixed by the initial and final angle  $\phi_0$  and  $\phi_F$ , respectively. The width is again defined in terms of the inner and outer radii ( $R_1$  and  $R_2$ ).

Figs. 11(b)-(e) shows the frequency behavior of the transmission parameter (amplitude and phase) for both the co- and

xp-components for TE and TM normal incidence, respectively. The unit cell has been conceived to be highly asymmetric (that is,  $\phi_0$  and  $\phi_F$  of the left and right ring sections do not coincide) to force the appearance of cross polarization. However its amplitude strongly depends on the incident polarization. TE incidence, with the electric field along the y-direction, tends to equalize the amplitudes of the cp- and xp-components from 14 to 16 GHz in transmission. TM incidence does not achieve such an increase of the xp-amplitude, and most of power that is lost by the cp-component is not transferred to the xp-component but is reflected back (results of  $|S_{11}|$  are not plotted in the figure). The agreement between the results obtained by CST and the ECA is quite good in both cases. It is worth remarking the high complexity of the corresponding equivalent circuit for this scenario, as can be appreciated in Fig. 6(b). The CPU time needed for the ECA was about 3 seconds, contrasting with CST which needed around 8 minutes to provide a solution.

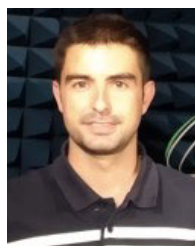
## V. CONCLUSION

In this paper, we have derived an analytical equivalent circuit approach, based on a Floquet modal expansion, for the characterization of the co-pol and cross-pol scattering components in FSS structures formed by periodic arrays of patches and apertures in single and stacked configurations. We have also taken advantage of the analytical expressions presented in our previous work to extended the analysis of the co- and cross-pol terms to FSS consisting of linearly transformed (rotated, scaled, misaligned) plates. Then, we have presented some examples in order to validate the present approach. We have compared the circuit results with both numerical and experimental data extracted from the literature, as well as with data obtained with commercial full-wave simulator CST. This would be the case of an aperture-based circular polarizer and patch-based (single and stacked) structures formed by split-ring resonators and L-shaped dipoles. Good agreement is observed for all the cases under study, even under extreme oblique incidence conditions. In light of the results, the proposed ECA proves to be an efficient surrogate model that can be combined with traditional optimization techniques, metaheuristics or artificial intelligence algorithms for the practical design of FSS structures, polarizers, reflectarray cells and other microwave and photonic platforms, specifically when an accurate control of the cross-pol term is imperative.

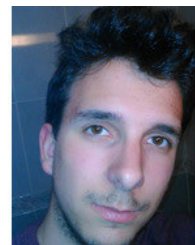
## REFERENCES

- [1] G. G. Macfarlane, "Quasi-stationary field theory and its application to diaphragms and junctions in transmission lines and wave guides," *J. Inst. Electr. Eng. IIIA, Radiolocation*, vol. 93, no. 4, pp. 703–719, 1946.
- [2] L. Felsen and N. Marcuvitz, *Radiation and Scattering of Waves*. Englewood Cliffs, NJ, USA: Prentice-Hall, 1973.
- [3] O. Quevedo-Teruel, H. Chen, A. Díaz-Rubio, G. Gok, A. Grbic, G. Minatti, E. Martini, S. Maci, G. V. Eleftheriades, M. Chen, and N. I. Zheludev, "Roadmap on metasurfaces," *J. Opt.*, vol. 21, no. 7, 2019, Art. no. 073002.
- [4] W. Li, Y. Wang, S. Sun, and X. Shi, "An FSS-backed reflection/transmission reconfigurable array antenna," *IEEE Access*, vol. 8, pp. 23904–23911, 2020.
- [5] C.-C. Chen, "Diffraction of electromagnetic waves by a conducting screen perforated periodically with holes," *IEEE Trans. Microw. Theory Techn.*, vol. MTT-19, no. 5, pp. 475–481, May 1971.
- [6] V. S. Asadchy, A. Díaz-Rubio, S. N. Tsvetkova, D.-H. Kwon, A. Elsakka, M. Albooyeh, and S. A. Tretyakov, "Flat engineered multichannel reflectors," *Phys. Rev. X*, vol. 7, no. 3, Sep. 2017, Art. no. 031046.
- [7] O. Rabinovich and A. Epstein, "Arbitrary diffraction engineering with multilayered multielement metagratings," *IEEE Trans. Antennas Propag.*, vol. 68, no. 3, pp. 1553–1568, Mar. 2020.
- [8] F. Yang, R. Deng, S. Xu, and M. Li, "Design and experiment of a near-zero-thickness high-gain transmit-reflect-array antenna using anisotropic metasurface," *IEEE Trans. Antennas Propag.*, vol. 66, no. 6, pp. 2853–2861, Jun. 2018.
- [9] M. Qu, B. Li, S. Sun, and S. Li, "Angularly stable bandpass frequency selective surface based on metasurface," *IEEE Access*, vol. 8, pp. 41684–41689, 2020.
- [10] H. Yi, S.-W. Qu, K.-B. Ng, C. K. Wong, and C. H. Chan, "Terahertz wavefront control on both sides of the cascaded metasurfaces," *IEEE Trans. Antennas Propag.*, vol. 66, no. 1, pp. 209–216, Jan. 2018.
- [11] H. J. Lezec, A. Degiron, E. Devaux, R. A. Linke, L. Martin-Moreno, F. J. Garcia-Vidal, and T. W. Ebbesen, "Beaming light from a sub-wavelength aperture," *Science*, vol. 297, no. 5582, pp. 820–822, Aug. 2002.
- [12] S. J. Li, Y. B. Li, H. Li, Z. X. Wang, C. Zhang, Z. X. Guo, R. Q. Li, X. Y. Cao, Q. Cheng, and T. J. Cui, "A thin self-feeding janus metasurface for manipulating incident waves and emitting radiation waves simultaneously," *Annalen der Physik*, vol. 532, no. 5, May 2020, Art. no. 2000020.
- [13] S. J. Li, Y. B. Li, L. Zhang, Z. J. Luo, B. W. Han, R. Q. Li, X. Y. Cao, Q. Cheng, and T. J. Cui, "Programmable controls to scattering properties of a radiation array," *Laser Photon. Rev.*, vol. 15, no. 2, Feb. 2021, Art. no. 2000449.
- [14] B. Munk, *Frequency Selective Surfaces: Theory and Design*. Hoboken, NJ, USA: Wiley, 2000.
- [15] R. Anwar, L. Mao, and H. Ning, "Frequency selective surfaces: A review," *Appl. Sci.*, vol. 8, no. 9, p. 1689, Sep. 2018.
- [16] N. K. Grady, J. E. Heyes, D. R. Chowdhury, Y. Zeng, M. T. Reiten, A. K. Azad, A. J. Taylor, D. A. R. Dalvit, and H.-T. Chen, "Terahertz metamaterials for linear polarization conversion and anomalous refraction," *Science*, vol. 340, no. 6138, pp. 1304–1307, 2013.
- [17] Y. Zhao, M. A. Belkin, and A. Alù, "Twisted optical metamaterials for planarized ultrathin broadband circular polarizers," *Nature Commun.*, vol. 3, p. 870, May 2012.
- [18] N. Kolmakova, S. Prikolotin, A. Perov, V. Derkach, and A. Kirilenko, "Polarization plane rotation by arbitrary angle using  $D_4$  symmetrical structures," *IEEE Trans. Microw. Theory Techn.*, vol. 64, no. 2, pp. 429–435, Dec. 2016.
- [19] H.-X. Xu, S. Tang, G.-M. Wang, T. Cai, W. Huang, Q. He, S. Sun, and L. Zhou, "Multifunctional microstrip array combining a linear polarizer and focusing metasurface," *IEEE Trans. Antennas Propag.*, vol. 64, no. 8, pp. 3676–3682, Aug. 2016.
- [20] P. Fei, G. A. E. Vandenbosch, W. Guo, X. Wen, D. Xiong, W. Hu, Q. Zheng, and X. Chen, "Versatile cross-polarization conversion chiral metasurface for linear and circular polarizations," *Adv. Opt. Mater.*, vol. 8, no. 13, Jul. 2020, Art. no. 2000194.
- [21] J. Wang, Z. Shen, and W. Wu, "Cavity-based high-efficiency and wideband 90° polarization rotator," *Appl. Phys. Lett.*, vol. 109, no. 15, Oct. 2016, Art. no. 153504.
- [22] S. Clendinning, R. Cahill, D. Zelenchuk, and V. Fusco, "Bandwidth optimization of linear to circular polarization converters based on slot FSS," *Microw. Opt. Technol. Lett.*, vol. 61, no. 5, pp. 1200–1207, May 2019.
- [23] Y. Li, Q. Cao, and Y. Wang, "A wideband multifunctional multilayer switchable linear polarization metasurface," *IEEE Antennas Wirel. Propag. Lett.*, vol. 17, no. 7, pp. 1314–1318, Jul. 2018.
- [24] Y. Zhao, B. Qi, T. Niu, Z. Mei, L. Qiao, and Y. Zhao, "Ultra-wideband and wide-angle polarization rotator based on double W-shaped metasurface," *AIP Adv.*, vol. 9, no. 8, Aug. 2019, Art. no. 085013.
- [25] G. Perez-Palomino and J. E. Page, "Bimode Foster's equivalent circuit of arbitrary planar periodic structures and its application to design polarization controller devices," *IEEE Trans. Antennas Propag.*, vol. 68, no. 7, pp. 5308–5321, Jul. 2020.

- [26] R. Zaker and A. Sadeghzadeh, "A low-profile design of polarization rotation reflective surface for wideband RCS reduction," *IEEE Antennas Wireless Propag. Lett.*, vol. 18, no. 9, pp. 1794–1798, Sep. 2019.
- [27] A. A. Omar, W. Hong, A. Al-Awamry, and A.-E. Mahmoud, "A single-layer vialess wideband reflective polarization rotator utilizing perforated holes," *IEEE Antennas Wireless Propag. Lett.*, vol. 19, no. 12, pp. 2053–2056, Dec. 2020.
- [28] Q. Lv, Y. Tang, B. Zhang, L. Yin, C. Jin, and R. Mittra, "Dual-band diffusive metasurface-based reflector with low out-of-band backscattering," *IEEE Access*, vol. 8, pp. 217196–217203, 2020.
- [29] M. Karamirad, C. Ghobadi, and J. Nourinia, "Metasurfaces for wideband and efficient polarization rotation," *IEEE Trans. Antennas Propag.*, vol. 69, no. 3, pp. 1799–1804, Mar. 2021.
- [30] S. Monni, G. Gerini, A. Neto, and A. G. Tijhuis, "Multimode equivalent networks for the design and analysis of frequency selective surfaces," *IEEE Trans. Antennas Propag.*, vol. 55, no. 10, pp. 2824–2835, Oct. 2007.
- [31] O. Luukkonen, C. Simovski, G. Granet, G. Goussetis, D. Lioubtchenko, A. V. Raisanen, and S. A. Tretyakov, "Simple and accurate analytical model of planar grids and high-impedance surfaces comprising metal strips or patches," *IEEE Trans. Antennas Propag.*, vol. 56, no. 6, pp. 1624–1632, Jun. 2008.
- [32] G. Perez-Palomino, J. E. Page, M. Arrebola, and J. A. Encinar, "A design technique based on equivalent circuit and coupler theory for broadband linear to circular polarization converters in reflection or transmission mode," *IEEE Trans. Antennas Propag.*, vol. 66, no. 5, pp. 2428–2438, May 2018.
- [33] F. Costa, A. Monorchio, and G. Manara, "Efficient analysis of frequency-selective surfaces by a simple equivalent-circuit model," *IEEE Antennas Propag. Mag.*, vol. 54, no. 4, pp. 35–48, Aug. 2012.
- [34] F. Mesa, R. Rodríguez-Berral, and F. Medina, "Unlocking complexity using the ECA: The equivalent circuit model as an efficient and physically insightful tool for microwave engineering," *IEEE Microw. Mag.*, vol. 19, no. 4, pp. 44–65, Jun. 2018.
- [35] J. Carbonell, C. Croëne, F. Garet, E. Lheurette, J. L. Coutaz, and D. Lippens, "Lumped elements circuit of terahertz fishnet-like arrays with composite dispersion," *J. Appl. Phys.*, vol. 108, no. 1, Jul. 2010, Art. no. 014907.
- [36] M. Kafesaki, I. Tsiapa, N. Katsarakis, T. Koschny, C. M. Soukoulis, and E. N. Economou, "Left-handed metamaterials: The fishnet structure and its variations," *Phys. Rev. B, Condens. Matter*, vol. 75, no. 23, Jun. 2007, Art. no. 235114.
- [37] M. Borgese and F. Costa, "A simple equivalent circuit approach for anisotropic frequency-selective surfaces and metasurfaces," *IEEE Trans. Antennas Propag.*, vol. 68, no. 10, pp. 7088–7098, Oct. 2020.
- [38] Q. Chen, F. Ghasemifard, G. Valerio, and O. Quevedo-Teruel, "Modeling and dispersion analysis of coaxial lines with higher symmetries," *IEEE Trans. Microw. Theory Techn.*, vol. 66, no. 10, pp. 4338–4345, Oct. 2018.
- [39] G. Valerio, Z. Sipus, A. Grbic, and O. Quevedo-Teruel, "Accurate equivalent-circuit descriptions of thin glide-symmetric corrugated metasurfaces," *IEEE Trans. Antennas Propag.*, vol. 65, no. 5, pp. 2695–2700, May 2017.
- [40] A. J. A. Al-Gburi, I. B. M. Ibrahim, M. Y. Zeain, and Z. Zakaria, "Compact size and high gain of CPW-fed UWB strawberry artistic shaped printed monopole antennas using FSS single layer reflector," *IEEE Access*, vol. 8, pp. 92697–92707, 2020.
- [41] Q. Guo, J. Su, Z. Li, L. Y. Yang, and J. Song, "Absorptive/transmissive frequency selective surface with wide absorption band," *IEEE Access*, vol. 7, pp. 92314–92321, 2019.
- [42] R. Dubrovka, J. Vazquez, C. Parini, and D. Moore, "Equivalent circuit method for analysis and synthesis of frequency selective surfaces," *IEE Proc.-Microw., Antennas Propag.*, vol. 153, no. 3, pp. 213–220, Jun. 2006.
- [43] R. Rodríguez-Berral, F. Mesa, and F. Medina, "Analytical multimodal network approach for 2-D arrays of planar patches/apertures embedded in a layered medium," *IEEE Trans. Antennas Propag.*, vol. 63, no. 5, pp. 1969–1984, May 2015.
- [44] C. Molero, R. Rodríguez-Berral, F. Mesa, F. Medina, and A. B. Yakovlev, "Wideband analytical equivalent circuit for one-dimensional periodic stacked arrays," *Phys. Rev. E, Stat. Phys. Plasmas Fluids Relat. Interdiscip. Top.*, vol. 93, no. 1, Jan. 2016, Art. no. 013306.
- [45] V. Torres, F. Mesa, M. Navarro-Cía, R. Rodríguez-Berral, M. Beruete, and F. Medina, "Accurate circuit modeling of fishnet structures for negative-index-medium applications," *IEEE Trans. Microw. Theory Techn.*, vol. 64, no. 1, pp. 15–26, Jan. 2016.
- [46] S. V. Hum and B. Du, "Equivalent circuit modeling for reflectarrays using Floquet modal expansion," *IEEE Trans. Antennas Propag.*, vol. 65, no. 3, pp. 1131–1140, Mar. 2017.
- [47] M. D. Astorino, F. Frezza, and N. Tedeschi, "Equivalent-circuit model for stacked slot-based 2D periodic arrays of arbitrary geometry for broadband analysis," *J. Appl. Phys.*, vol. 123, no. 10, 2018, Art. no. 103106.
- [48] C. Molero and M. García-Vigueras, "Circuit modeling of 3-D cells to design versatile full-metal polarizers," *IEEE Trans. Microw. Theory Techn.*, vol. 67, no. 4, pp. 1357–1369, Apr. 2019.
- [49] A. Alex-Amor, F. Mesa, A. Palomares-Caballero, C. Molero, and P. Padilla, "Exploring the potentials of the multi-modal equivalent circuit approach for stacks of 2-D aperture arrays," *IEEE Trans. Antennas Propag.*, early access, Apr. 6, 2021, doi: 10.1109/TAP.2021.3070150.
- [50] E. Baladi and S. V. Hum, "Floquet modal expansion of surface current distributions," *IEEE Trans. Antennas Propag.*, early access, Apr. 5, 2021, doi: 10.1109/TAP.2021.3069590.
- [51] D. M. Pozar, *Microwave Engineering*, 3rd ed. Hoboken, NJ, USA: Wiley, 2005.
- [52] C. Molero, R. Rodríguez-Berral, F. Mesa, and F. Medina, "Wideband analytical equivalent circuit for coupled asymmetrical nonaligned slit arrays," *Phys. Rev. E, Stat. Phys. Plasmas Fluids Relat. Interdiscip. Top.*, vol. 95, no. 2, Feb. 2017, Art. no. 023303.
- [53] S. R. Rengarajan, "Choice of basis functions for accurate characterization of infinite array of microstrip reflectarray elements," *IEEE Antennas Wireless Propag. Lett.*, vol. 4, pp. 47–50, 2005.
- [54] C. Molero, M. García-Vigueras, R. Rodríguez-Berral, F. Mesa, and N. Llombart, "Equivalent circuit approach for practical applications of meander-line gratings," *IEEE Antennas Wireless Propag. Lett.*, vol. 16, pp. 3088–3091, 2017.
- [55] X. Liu, W. Li, Z. Zhao, R. Lu, S. Zhu, Z. Xu, X. Chen, and A. Zhang, "Tangential network transmission theory of reflective metasurface with obliquely incident plane waves," *IEEE Trans. Microw. Theory Techn.*, vol. 66, no. 1, pp. 64–72, Jan. 2018.



**CARLOS MOLERO** (Member, IEEE) was born in Seville, Spain, in April 1987. He received the Licenciado and Ph.D. degrees in physics from the Universidad de Sevilla, Seville, in 2011 and 2017, respectively. From 2017 to 2020, he has been holding a postdoctoral position at INSA Rennes, Rennes, France. Since 2020, he is a postdoctoral researcher at Universidad de Granada. His research interests include the study of periodic structures, both in planar and 3-D architectures, circuit models, full-metal devices, and new conception of polarizers-based on 3-D printable self-supported cells. He was a recipient of some prizes, such as the Best Engineer Prize in the European Microwave Conference of 2015, Paris, France.



**ANTONIO ALEX-AMOR** received the B.Sc. degree in telecommunication engineering from the Universidad de Granada, in 2016, and the M.Sc. and Ph.D. degrees in telecommunication engineering from the Universidad Politécnica de Madrid (UPM), in 2018 and 2021, respectively. Since 2016, he has been with the Radiation Group, Signal, Systems and Radiocommunications Department, UPM. From 2018 to 2019, he joined the Department of Language and Computer Science, Universidad de Málaga. In 2020, he joined the Departamento de Teoría de la Señal, Telemática y Telecomunicaciones, Universidad de Granada. His current research interests include the use of liquid crystal as tunable dielectric, metamaterials, structures with higher symmetries, and radiofrequency energy harvesting systems. He received the Best Electromagnetics Paper Award at the 14th European Conference on Antennas and Propagation (EuCAP 2020).



**FRANCISCO MESA** (Fellow, IEEE) received the Licenciado and Ph.D. degrees in physics from the Universidad de Sevilla, Seville, Spain, in 1989 and 1991, respectively. He is currently a Professor with the Departamento de Física Aplicada 1, Universidad de Sevilla. His research interest includes electromagnetic propagation/radiation in planar structures.



**ÁNGEL PALOMARES-CABALLERO** was born in Jaén, Spain, in 1994. He received the B.Sc. and M.Sc. degrees in telecommunication engineering from the University of Granada (UGR), Granada, Spain, in 2016 and 2018, respectively, where he is currently pursuing the Ph.D. degree with the National Predoctoral Fellowship. Since 2017, he has been with the Signal Theory, Telematics and Communications Department, University of Granada. His current research interests include millimeter-wave antennas and phase shifters, gap-waveguide technology, and structures with higher symmetries.



**PABLO PADILLA** was born in Jaén, Spain, in 1982. He received the degree in telecommunication engineering and the Ph.D. degree from the Radiation Group, Signal, Systems and Radiocommunications Department, Technical University of Madrid (UPM), Spain, in 2005 and 2009, respectively. In 2007, he was with the Laboratory of Electromagnetics and Acoustics, École Polytechnique Fédérale de Lausanne, Switzerland, as an invited Ph.D. Student. In 2009, he carried out a postdoctoral position with the Helsinki University of Technology (AALTO-TKK). In 2009, he became an Assistant Professor with the Signal Theory, Telematics and Communications Department, University of Granada, where he has been an Associate Professor, since 2012. In 2017, he was an invited Visiting Professor with the Royal Institute of Technology of Stockholm. He has authored more than 65 high-impact journal contributions and more than 60 contributions to international symposia. His research interests include a variety of topics related mainly to electromagnetism and communication issues (radiofrequency devices, antennas, and propagation).

• • •